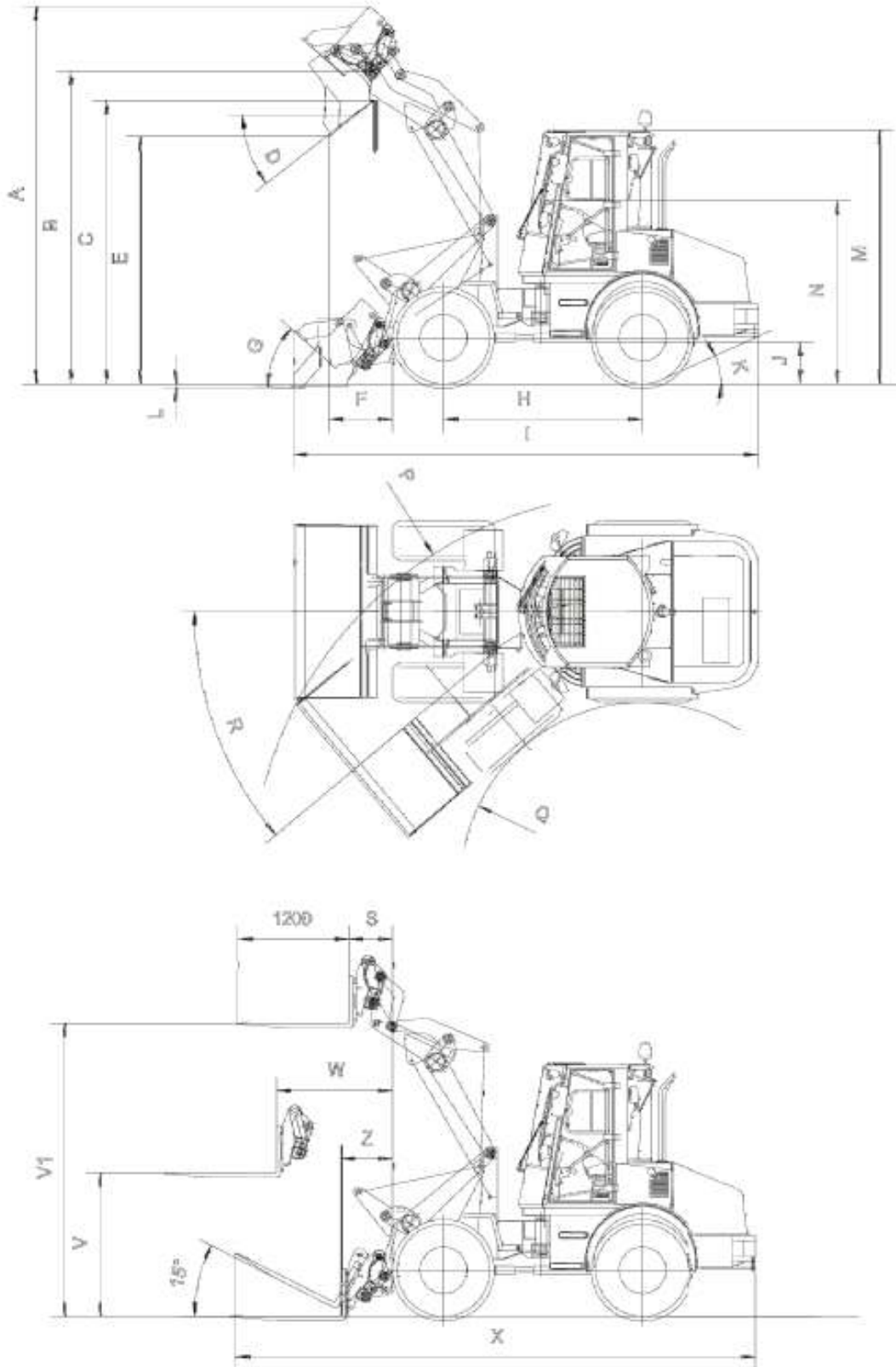


# Technical Data



RL	655	855
A	4077	4220
B	3378	3482
B1		
C	3062	3194
C1		
D	38°	41°
D1		
E	2672	2680
E1		
F	683	846
F1		
F2		
F3		
G	42°	44°
H	2145	2170
I	5003	5138
J	445	445
K	24°	24°
L	40	117
M	2742	2742
N	1980	1980
O	1850	1950
P	R4216	R4352
Q	R2010	R2000
R	40°	40°
S	470	592
S1		
T		
U		
V	1549	1480
V1	3166	3280
V2		
W	1258	1345
W1		
X	5634	5697
Y		
Z	555	593
AA		
AA1		
BB		
CC		
CC1		

Operating Data	RL 855	RL 655
Bucket capacity	1,0 m	0,8 m
Width of bucket	2000 mm	1850 mm
Width of loader	1900 mm	1800 mm
Breaking force	59 KN	56 KN
Tipping load, articulated	3800 Kg	3300 Kg
Lifting force on the ground	58 KN	46 KN
Operating weight	5400 Kg	4700 Kg
<i>Data with lifting fork</i>	payload acc. to EN 474-3	
Payload 80 %, transport position/articulated	2600/ 2380 Kg	2360/ 2000 Kg
Payload 60 %, transport position/articulated	2360/ 2100 Kg	2100/ 1760 Kg

All specifications without engagement. Our machines correspond to the latest European Safety Directives.

(We reserve the right to effect alterations in design)





Swivelling device with two directly actuated cylinders, for long-term smooth working at highest degree of operating safety



Lowering cut-off automatics avoids damage to the tires in swivelled position



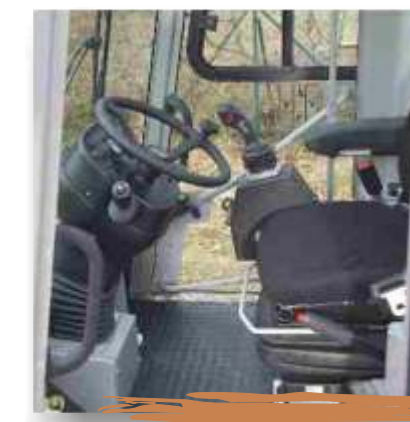
Extremely good accessibility for inspection and maintenance works due to the GFK engine cover that can be opened widely



Plain entrance on both sides, control device foldable to the back, ergonomically designed joystick, orthopaedic comfortable seat with safety belt and disc support



Electro-hydraulic anticipatory control via multifunctional joystick; swivelling function by turning the joystick



Comfortable cabin with fully adjustable steering column and very good panoramic view



Additional connection for hydraulic attachments, e.g. concrete-mixing bucket or power sweeper



A PAUS standard: hydraulic quick-change device for many attachments



The central bar close to the steps allows easy lubrication of the complete chassis

## PAUS - Swivel Loaders SL 655 / SL 755

Extreme maneuverability in narrow spaces due to articulated steering and loading device swivelling by 180°

Easy operation of the Paus Swivel Loaders via multifunctional joystick incl. operation of the swivelling device by means of logical turning of the joystick; the driver can fully concentrate on his work: this increases the productivity of the machine.



### Distinguishing features of Paus Swivel Loaders:

- Articulated joint with pendulum axle, by this, the entire weight of the wheel loader is always at the bucket resulting in a particularly good prospecting mark.
- Automatic locking of pendulum axle provides stability while swivelling.
- The strong parallel kinematics offers great advantages especially when working with the lifting fork.
- Lowering cut-off automatics avoids damage to the tires while swivelling. All attachments as of series -51 are suitable for the series -55.
- Fully developed technology meets all regulations as to noise protection and safety.
- With Paus Swivel Loaders SL 755 and SL 655 you can carry out many works more efficiently compared to usual wheel loaders. By means of the loading system swivelling by 180° you achieve high efficiency being hard to match. The total range of action of the bucket incl. articulated steering is about 260°.
- Series -55 provides a modern design. The cabin offers an excellent panoramic view. Large windows allow an excellent view on bucket, wheels and attachments which has a positive effect on safety.
- Paus offers very good air conditioning of the cabin, heating of the feet compartment, defroster nozzles for front and rear windows via 3-stage blower; and as option: air conditioning plant and comfortable seat with air suspension.

## SL 655 / SL 755

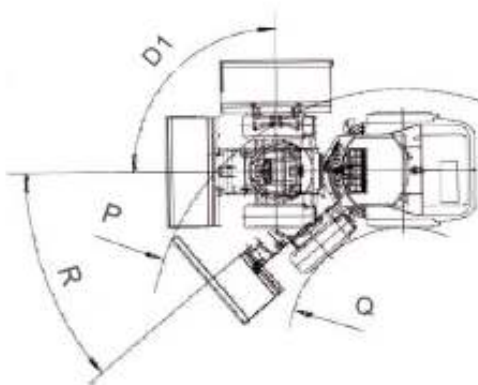
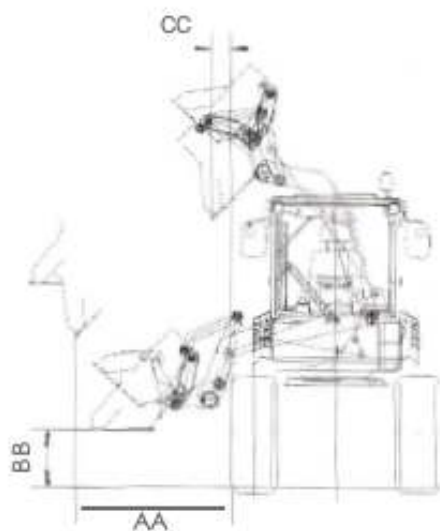
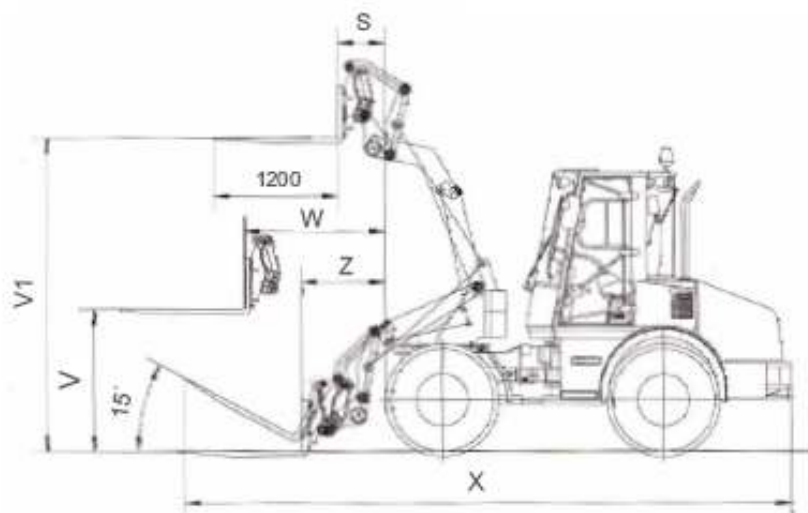
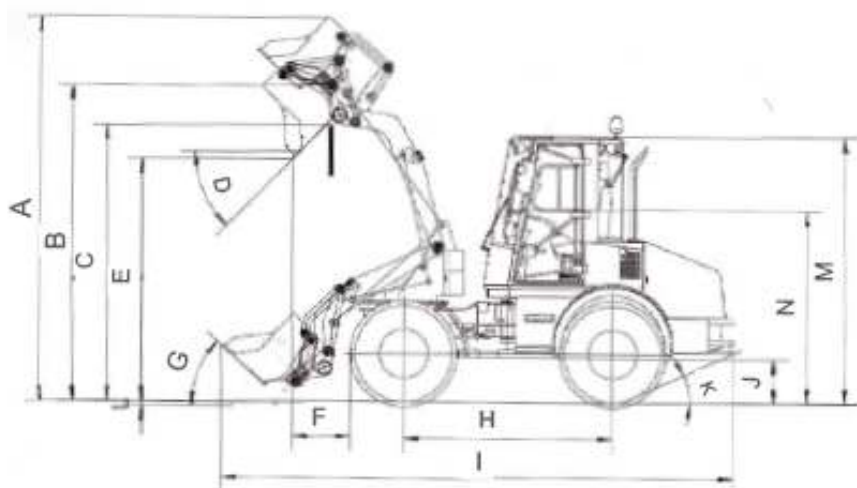
A machine for all kinds of application in civil engineering, cable laying works, landscaping and agricultural and municipal work. Especially for narrow construction sites Paus Swivel Loaders are the right decision.

- two performance variants
- hydrostatic drive unit

- "active" protection of tires
- comfortable cabin



## Technical Data



RL	655SL	755SL
A	3959	3959
B	3261	3261
B1		
C	2846	2846
C1		
D	45°	45°
D1	90°	90°
E	2502	2502
E1		
F	590	590
F1		
F2		
F3		
G	43.5°	43.5°
H	2145	2145
I	5256	5256
J	445	445
K	24°	24°
L	52	52
M	2742	2742
N	1980	1980
O	1850	1950
P	R4320	R4320
Q	R2010	R1960
R	40°	40°
S	458	458
S1		
T		
U		
V	1377	1377
V1	3048	3048
V2		
W	1367	1367
W1		
X	5884	5884
Y		
Z	810	810
AA	1507	1454
AA1		
BB	528	534
CC	229	175
CC1		

Operating Data	SL 755	SL 655
Bucket capacity	1,0 m	0,8 m
Width of bucket	1950 mm	1850 mm
Width of loader	1900 mm	1800 mm
Breaking force	56 KN	56 KN
Tipping load, articulated	3350 Kg	3350 Kg
Lifting force on the ground	46 KN	46 KN
Operating weight	6250 Kg	5950 Kg
<i>Data with lifting fork</i>	payload acc. to EN 474	
Payload 80 %, transport position/articulated	2600/ 2380 Kg	2600/ 2380 Kg
Payload 60 %, transport position/articulated	2360/ 2100 Kg	2360/ 2100 Kg

All specifications without engagement. Our machines correspond to the latest European Safety Directives. We reserve the right to effect changes in design!